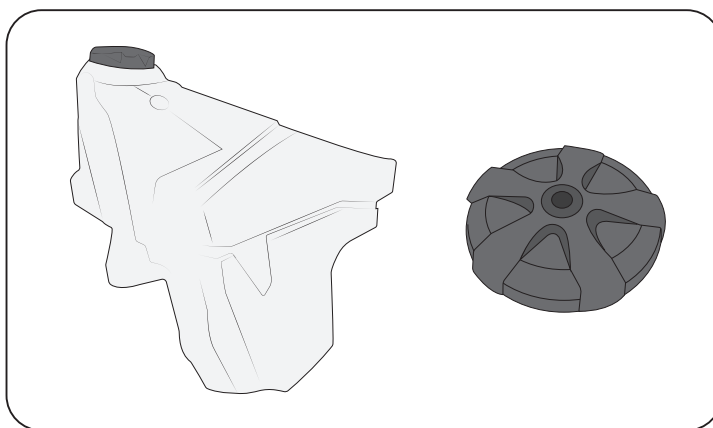
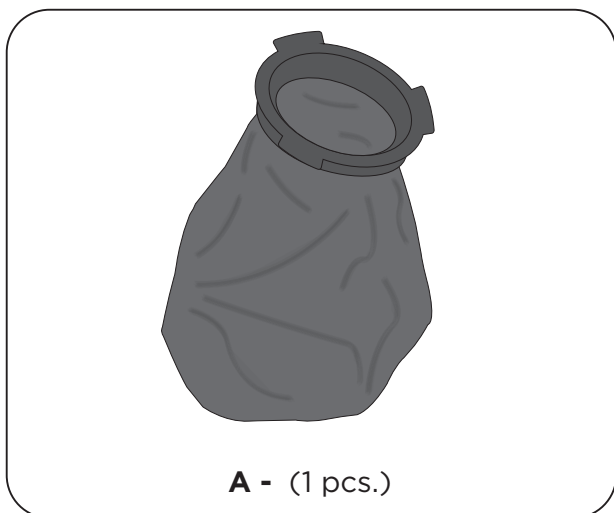


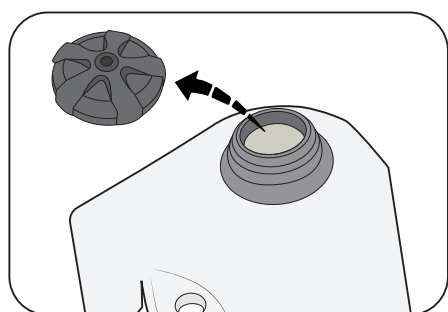
# FUEL TANK FILTER FILTRO BENZINA

**ACERBIS**

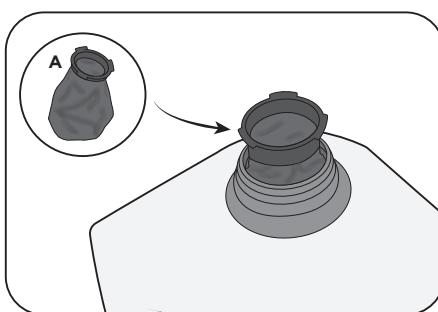
COD. 500007795 REV.1



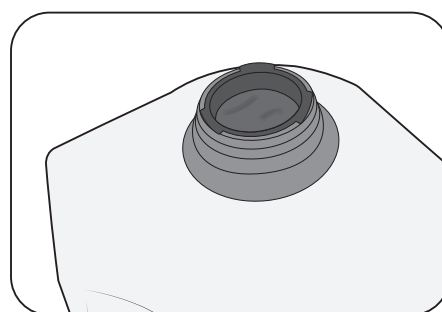
- It can be used on tanks **KTM** and **HUSQVARNA**  
- Può essere utilizzato su serbatoi **KTM** e **HUSQVARNA**



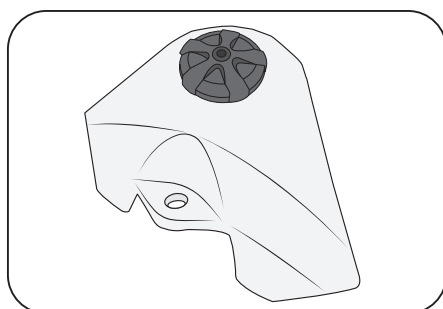
**1 - Unscrew the fuel cap.**  
1- Svitare il tappo del serbatoio.



**2 - Insert the fuel filter (A).**  
2- Inserire il filtro benzina (A).



**3 - Make sure the filter is properly inserted.**  
3 - Assicurarsi che il filtro sia ben inserito.



**4 - Screw the cap back on.**  
4 - Riavvitare il tappo.

## WARNING!

Use at your own risk. Check the security of your device before you ride. Be sure that you follow the instructions installing the Acerbis products. Do not ride if there is missing or damaged hardware. If this is the case, take the item immediately back to your dealer. Acerbis recommends that installation must be done by a licensed mechanic and that only Acerbis original parts are used during fitting. Acerbis makes no guarantees or representations, express or implied, regarding the fitness of its products for any particular purpose. Acerbis makes no guarantees or representations, express or implied, regarding the extent to which its product protect individuals or property from injury or death or damage.

**ACERBIS ITALIA S.P.A.** VIA SERIO, 37 - 24021 ALBINO (BG) - ITALY

Phone +39 035773577 - Fax +39 035773570 - [INFOMOTO@ACERBIS.IT](mailto:INFOMOTO@ACERBIS.IT) - [WWW.ACERBIS.COM](http://WWW.ACERBIS.COM)

**ACERBIS U.S.A. Inc.**

MAIL P.O. BOX 2030 SUN VALLEY, ID 83353 SHIP 110 LINDSAY CIRCLE KETCHUM, ID 83340

Phone (800) 659-1440 - Fax (208) 726-7039 - [INFOUSA@ACERBIS.COM](mailto:INFOUSA@ACERBIS.COM)

**ACERBIS U.K. Ltd**

UNIT 2 LUTON ENTERPRISE PARK SUNDON PARK ROAD LUTON, BEDFORDSHIRE LU3 3GU GREAT BRITAIN

Phone +44 1582491076 - Fax +44 1582499639 - [UKINFO@ACERBIS.IT](mailto:UKINFO@ACERBIS.IT)